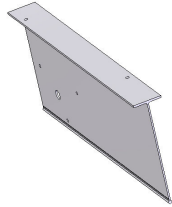


03-1102-0-174

BRACKET SIDE DIRECTIONAL C/S

EA

2.9 lbs

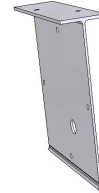


03-1102-0-175

BRACKET ALUM S/DIR RS NO DECAL

EA

1.0 lbs

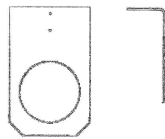


03-1102-0-201

BRACKET ALUM SIDE/DIRECT SMALL

EA

0.8 lbs



03-1102-0-235

BRACKET REAR CRNR 2 LITE R/S

EA

4.3 lbs

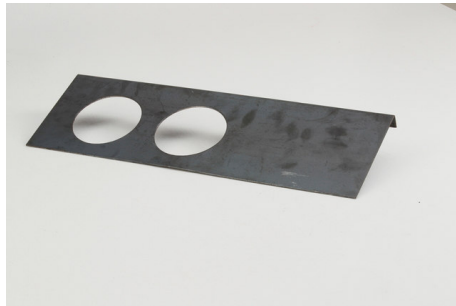


03-1102-0-236

BRACKET REAR CRNR 2 LITE C/S

EA

4.3 lbs

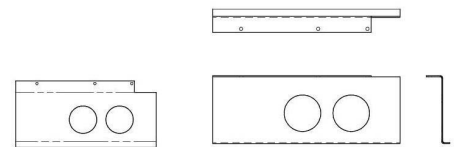


03-1102-0-245

BRACKET ALUM REAR 2-LITE R/S

EA

2.6 lbs

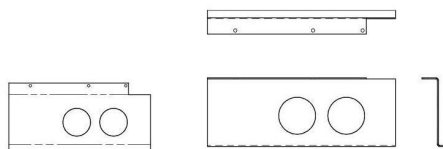


03-1102-0-246

BRACKET ALUM REAR 2-LITE C/S

EA

2.6 lbs

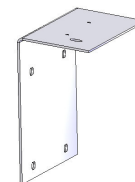


03-1102-0-298

BRACKET LICENSE LIGHT

EA

3.9 lbs

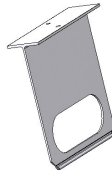


03-1102-0-314

BRACKET ALUM TEE SIDE/TURN

EA

1.1 lbs

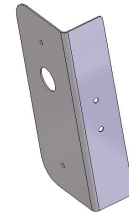


03-1102-0-388

BRACKET MTG MID S/TURN CLRN LT

EA

0.4 lbs

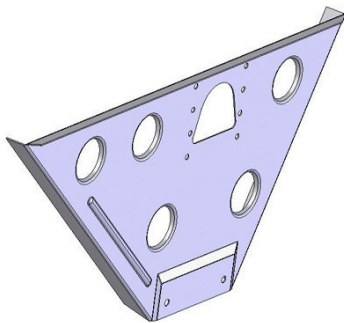


03-1103-0-063

BRACKET R/H BINKLEY LEG MOUNT

EA

28.3 lbs

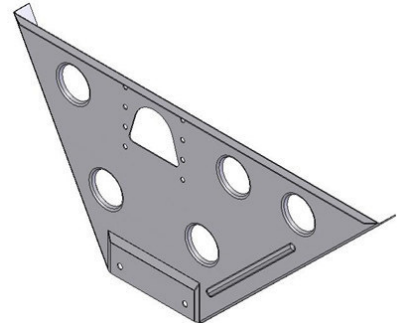


03-1103-0-077

BRACKET UNIV LEG MOUNT HT50 R/S

EA

23.1 lbs

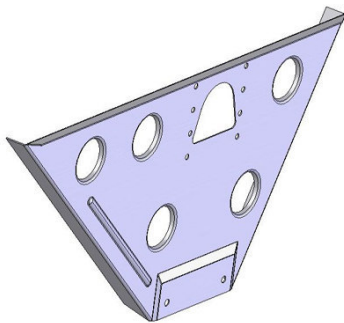


03-1103-0-078

BRACKET UNIV LEG MOUNT HT50 C/S

EA

23.1 lbs

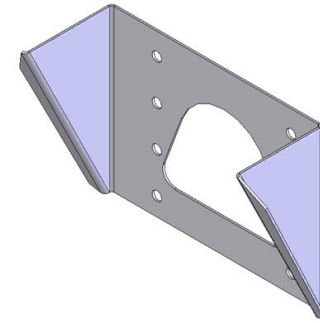


03-1103-0-123

BRACKET LEG DBLR HT50 R/S

EA

4.1 lbs

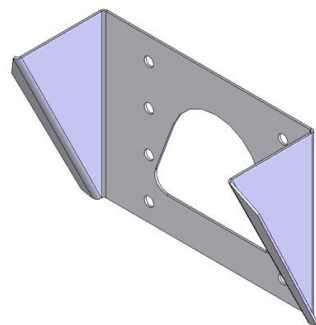


03-1103-0-124

BRACKET LEG DBLR HT50 C/S

EA

4.1 lbs



03-1103-0-172

BRACKET LEG WINGPLATE R/S SST

EA

23.1 lbs

